

# Technical data sheet



Product features

## Open stand mobile

Model

SAP Code

00003158



– Material: Stainless steel

# Technical data sheet



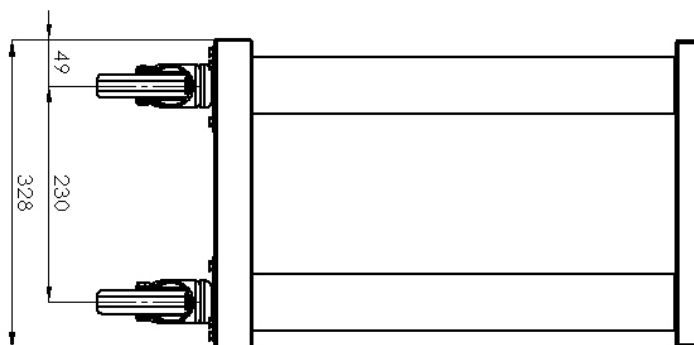
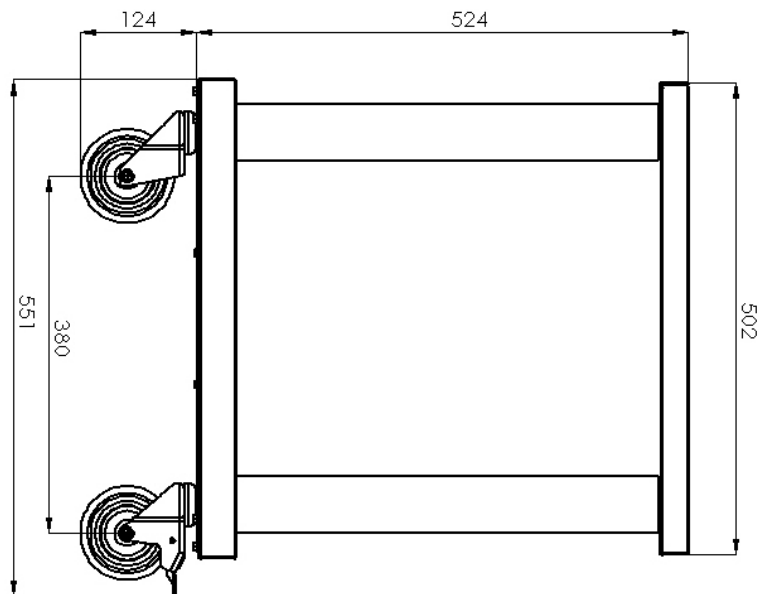
Technical drawing

Open stand mobile

Model

SAP Code

00003158



# Technical data sheet



Technical parameters

## Open stand mobile

**Model**

**SAP Code**

00003158

**1. SAP Code:**

00003158

**9. Gross Weight [kg]:**

11.00

**2. Net Width [mm]:**

328

**10. Material:**

Stainless steel

**3. Net Depth [mm]:**

502

**11. Adjustable feet:**

No

**4. Net Height [mm]:**

648

**12. Construction type of device 3:**

Opened

**5. Net Weight [kg]:**

9.50

**13. Device properties:**

Neutral

**6. Gross Width [mm]:**

340

**14. Construction type of device:**

On wheels

**7. Gross depth [mm]:**

520

**15. Unit:**

No

**8. Gross Height [mm]:**

660